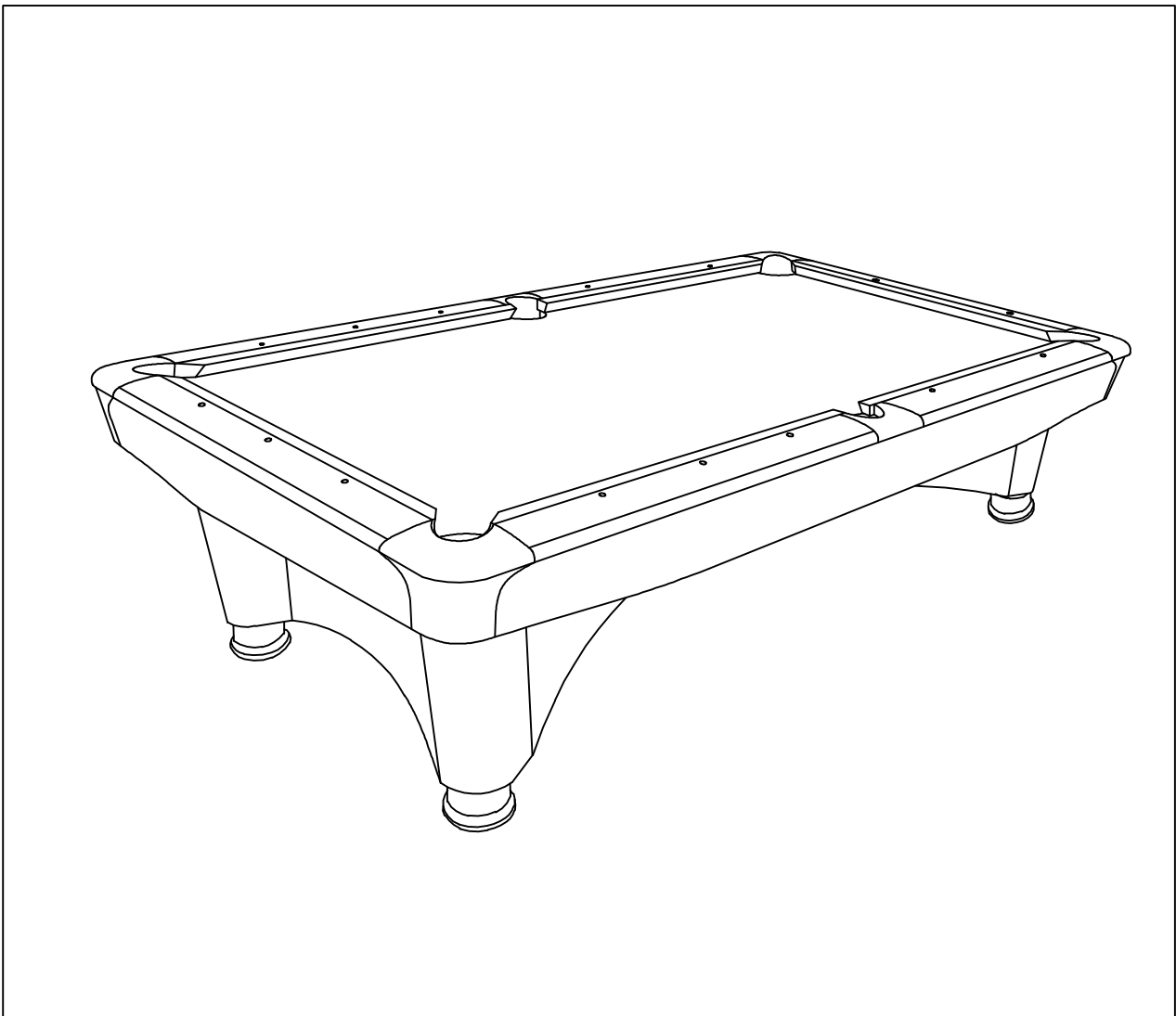


# Dynamic III



55100.071 55100.073

55100.075 55100.081

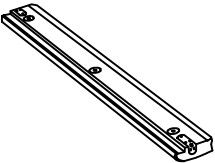
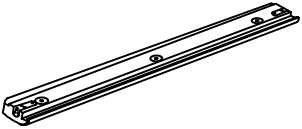
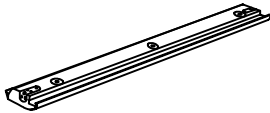
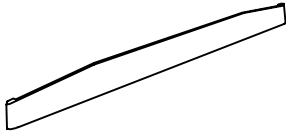
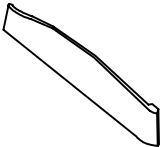
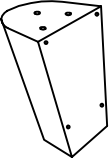

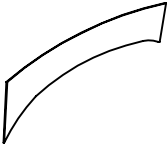
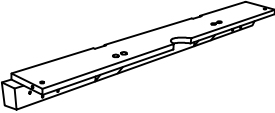
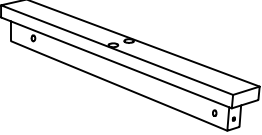
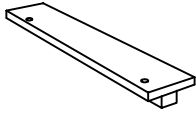
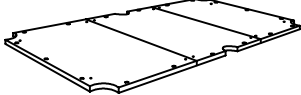

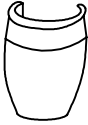
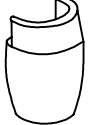
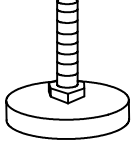
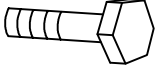


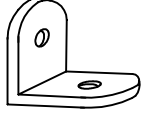
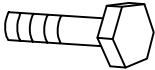
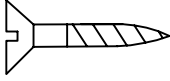
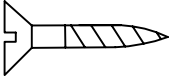
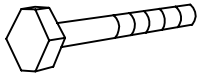
55100.083 55100.085

55100.091 55100.092



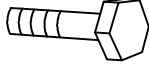

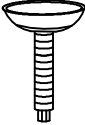
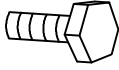
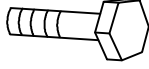
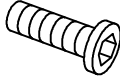
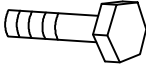
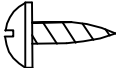

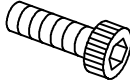
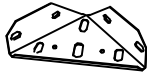

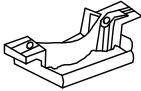
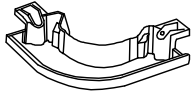

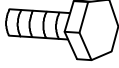
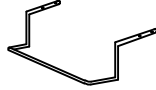



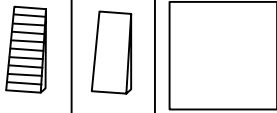
55100.093 55100.095

55100.096

# PART LIST

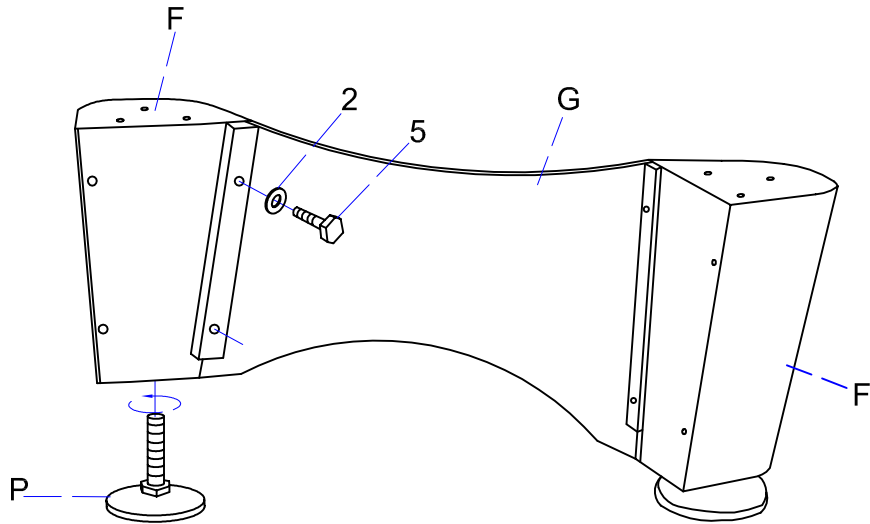
<p>A</p>  <p>End Rail 2 pieces</p>	<p>B</p>  <p>Side Rail (A) 2 pieces</p>	<p>C</p>  <p>Side Rail (B) 2 pieces</p>	<p>D</p>  <p>Side Apron 2 pieces</p>
<p>E</p>  <p>End Apron 2 pieces</p>	<p>F</p>  <p>Leg 4 pieces</p>	<p>G</p>  <p>Leg End Panel 2 pieces</p>	<p>H</p>  <p>Stretcher For Leg 2 pieces</p>
<p>I</p>  <p>Main Beam 2 pieces</p>	<p>J</p>  <p>Mid Cross Bean 2 pieces</p>	<p>K</p>  <p>End Cross Bean 2 pieces</p>	<p>L</p>  <p>Slate 1 set</p>
<p>M</p>  <p>Cloth 1 piece</p>	<p>N</p>  <p>Basket A 4 pieces</p>	<p>O</p>  <p>Basket B 2 pieces</p>	<p>P</p>  <p>Leg Leveler 4 pieces</p>
<p>#1</p>  <p>8x25mm Bolt 4 pieces</p>	<p>#2</p>  <p>8x19mm Washer 24 pieces</p>	<p>#3</p>  <p>8mm Nut 4 pieces</p>	<p>#4</p>  <p>Small Angle Steel 4 pieces</p>
<p>#5</p>  <p>8x44mm Bolt 16 pieces</p>	<p>#6</p>  <p>6x76mm Bolt 12 pieces</p>	<p>#7</p>  <p>F4x19mm Screw 4 pieces</p>	<p>#8</p>  <p>10x102mm Bolt 16 pieces</p>

# PART LIST(Cont'd)

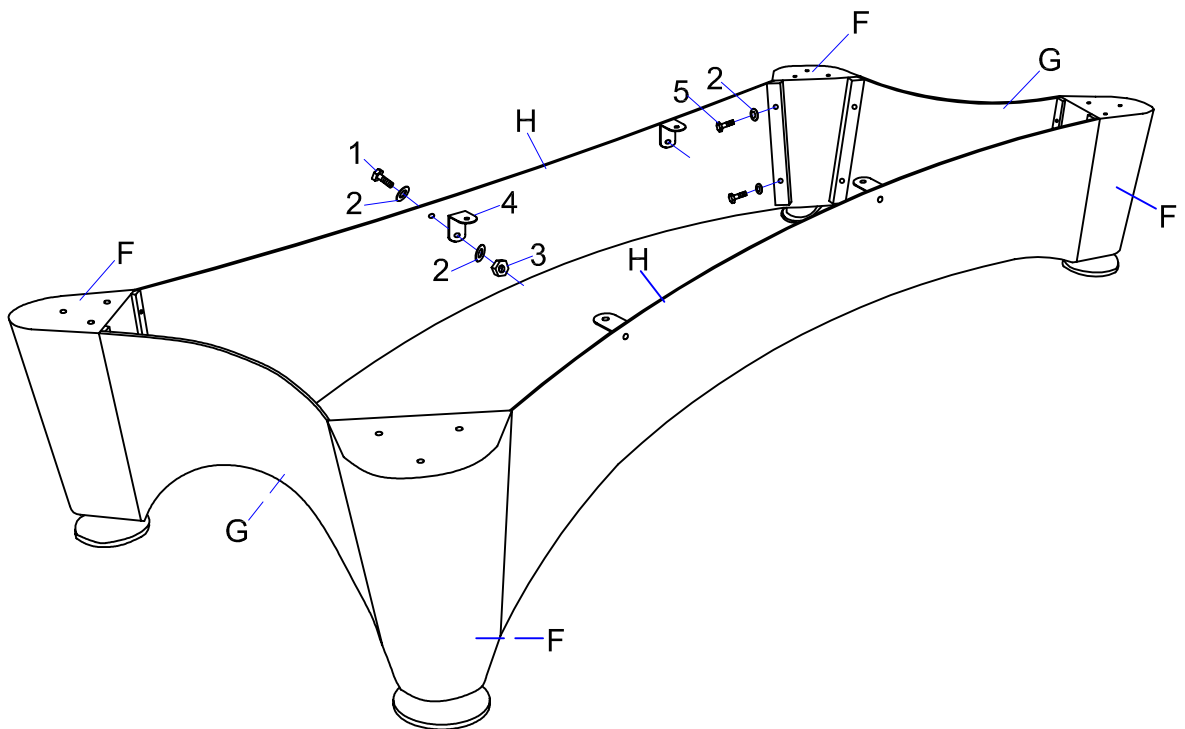
<p><b>#9</b></p>  <p><b>10x23mm Washer 60 pieces</b></p>	<p><b>#10</b></p>  <p><b>10mm Nut 16 pieces</b></p>	<p><b>#11</b></p>  <p><b>10x63mm Bolt 16 pieces</b></p>	<p><b>#12</b></p>  <p><b>10mm Nut 16 pieces</b></p>
<p><b>#13</b></p>  <p><b>Slate Leveler 18 pieces</b></p>	<p><b>#14</b></p>  <p><b>10x25mm Bolt 12 pieces</b></p>	<p><b>#15</b></p>  <p><b>10x51mm Bolt 18 pieces</b></p>	<p><b>#16</b></p>  <p><b>6x8mm Bolt 16 pieces</b></p>
<p><b>#17</b></p>  <p><b>8x45mm Bolt 18 pieces</b></p>	<p><b>#18</b></p>  <p><b>T4x19mm Screw 8 pieces</b></p>	<p><b>#19</b></p>  <p><b>10x35mm Washer 18 pieces</b></p>	<p><b>#20</b></p>  <p><b>5x15mm Bolt 12 pieces</b></p>
<p><b>#21</b></p>  <p><b>Leg Angle Steel 4 pieces</b></p>	<p><b>#22</b></p>  <p><b>Apron Corner 4 pieces</b></p>	<p><b>#23</b></p>  <p><b>Side Rail Corner 2 pieces</b></p>	<p><b>#24</b></p>  <p><b>End Rail Corner 4 pieces</b></p>
<p><b>#25</b></p>  <p><b>10x32mm Washer 12 pieces</b></p>	<p><b>#26</b></p>  <p><b>10x32mm Bolt 12 pieces</b></p>	<p><b>#27</b></p>  <p><b>Triangle Support 1 piece</b></p>	<p><b>#28</b></p>  <p><b>Cue Support 1 piece</b></p>
<p><b>#29</b></p>  <p><b>Protector 12 pieces</b></p>	<p><b>#30</b></p>  <p><b>8x23mm Washer 18 pieces</b></p>	<p><b>#31</b></p>  <p><b>8 pcs 8 pcs 8 pcs</b> <b>Slate wedges</b></p>	

# Assembly Instruction

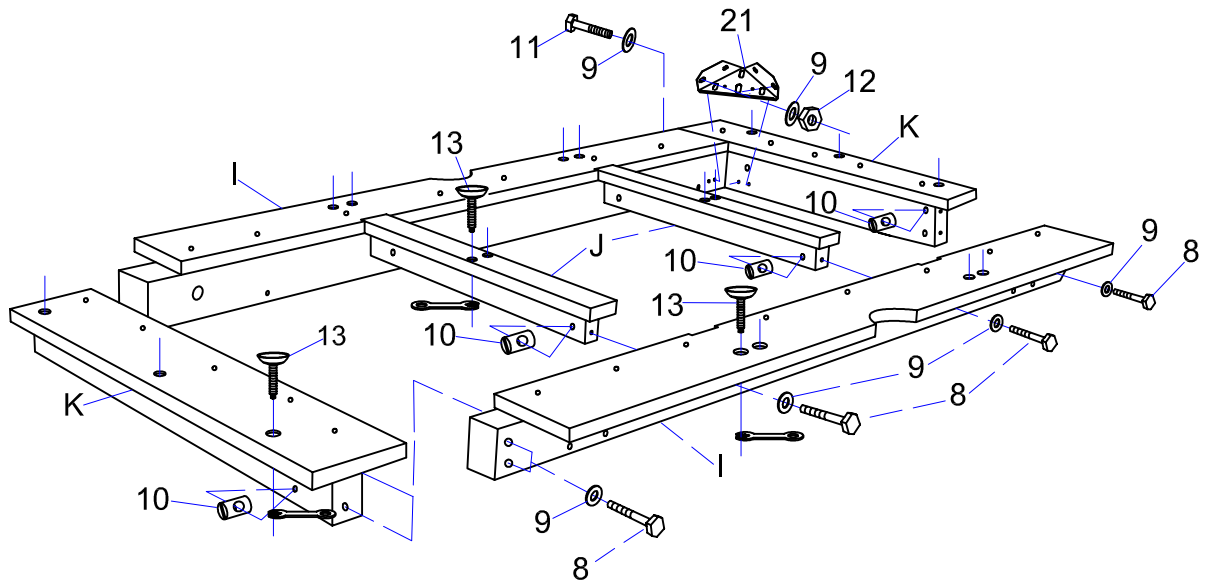
Step 1:



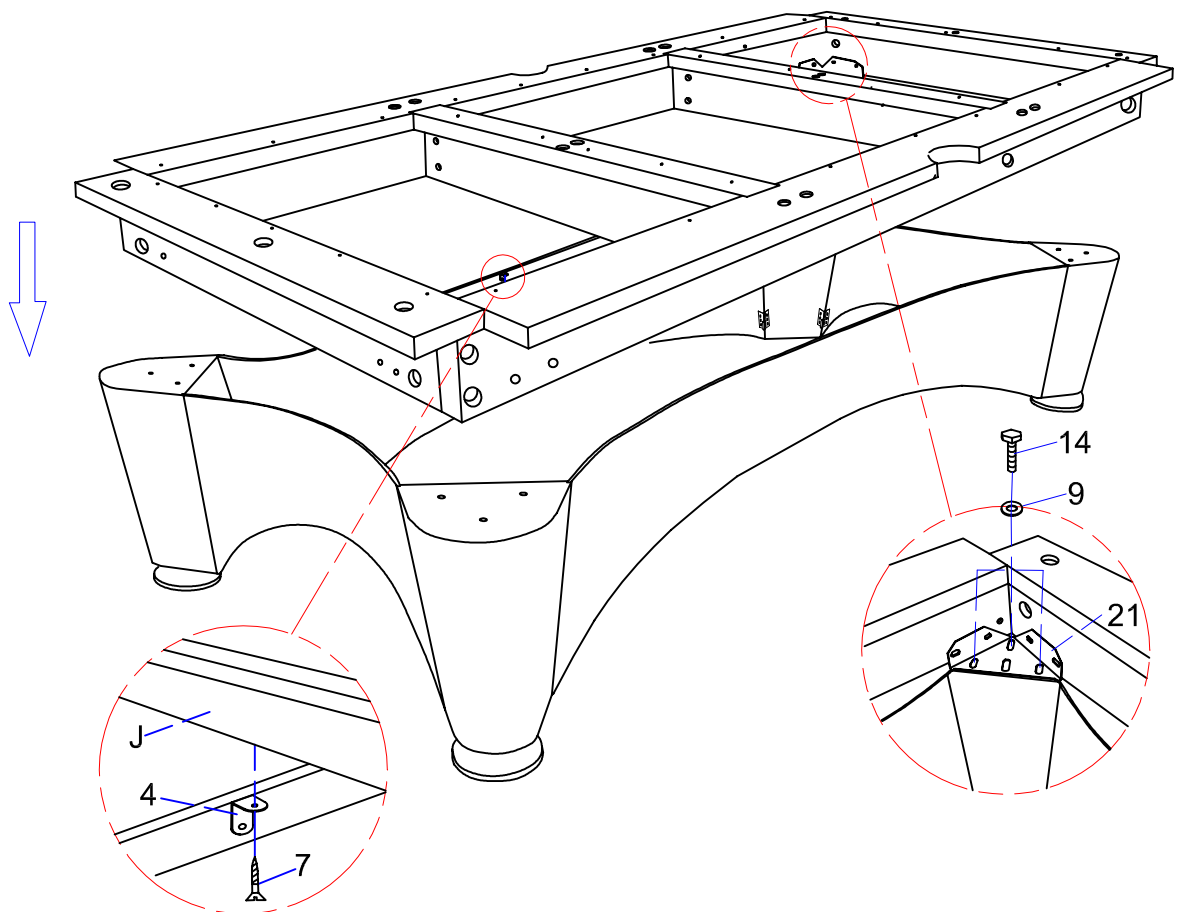
Step 2:



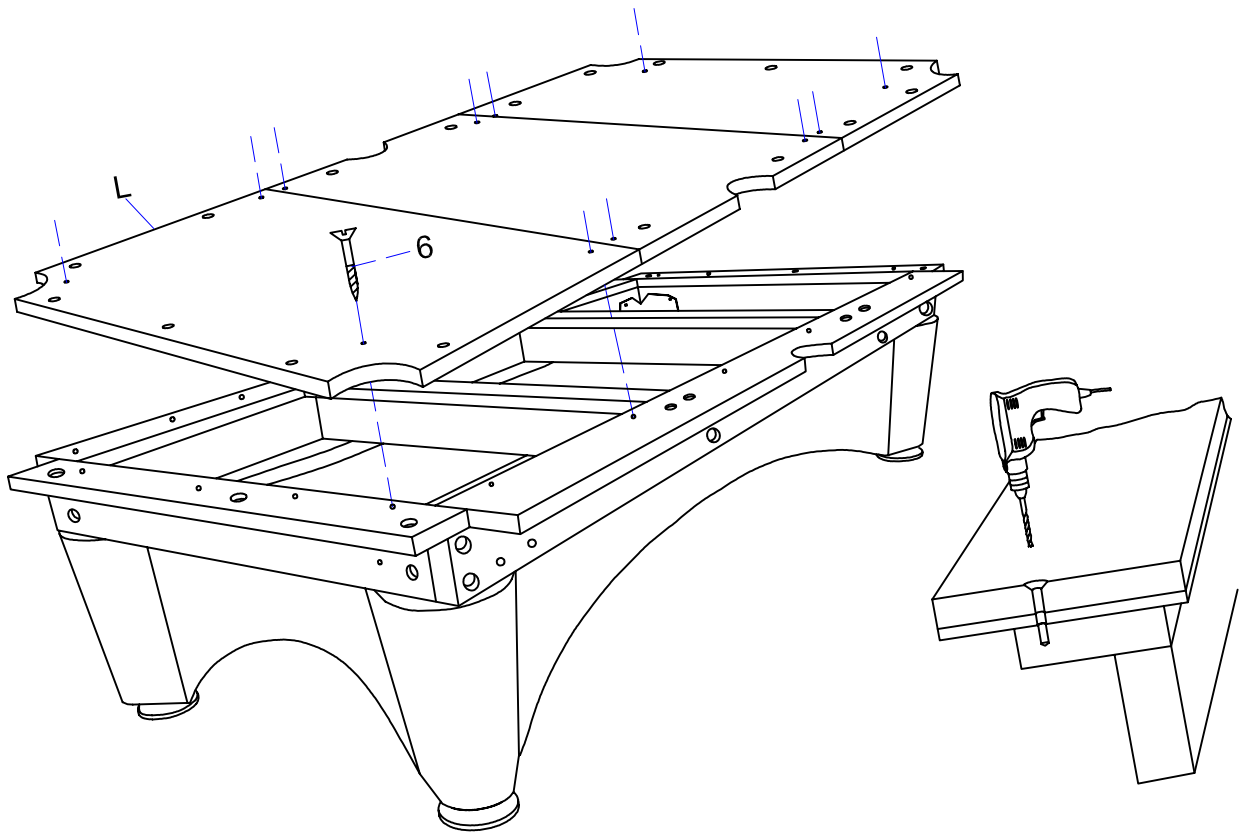
### Step 3:



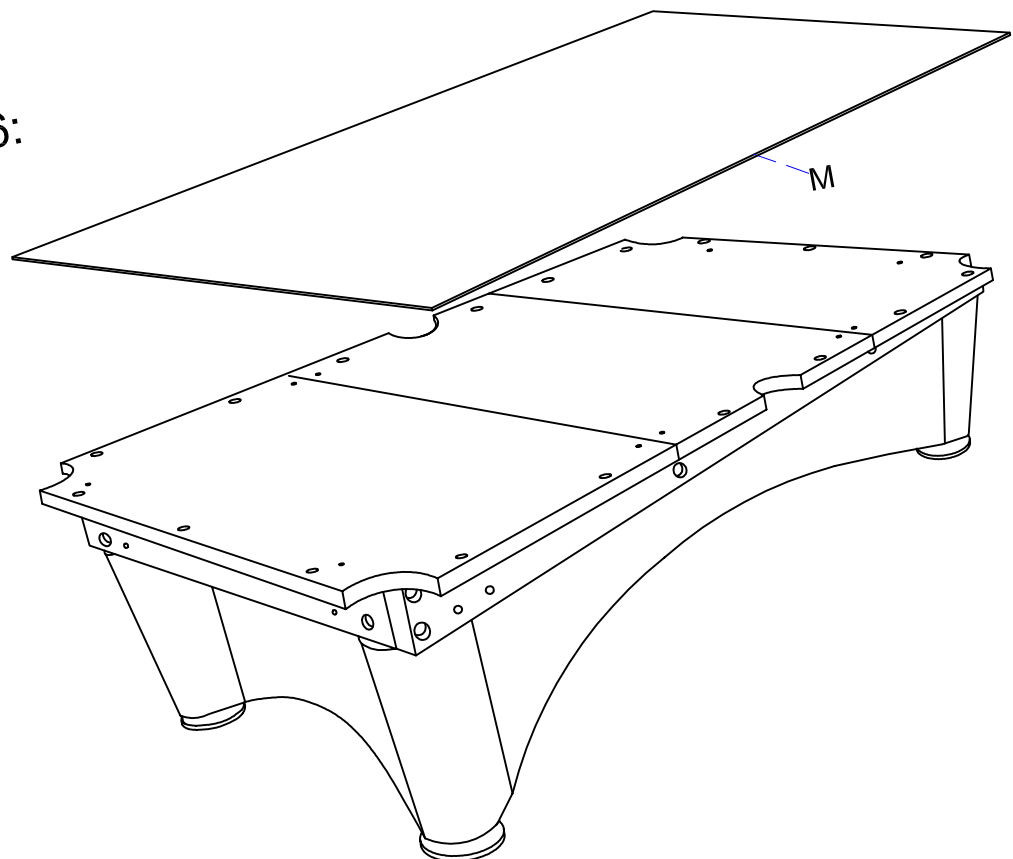
### Step 4:



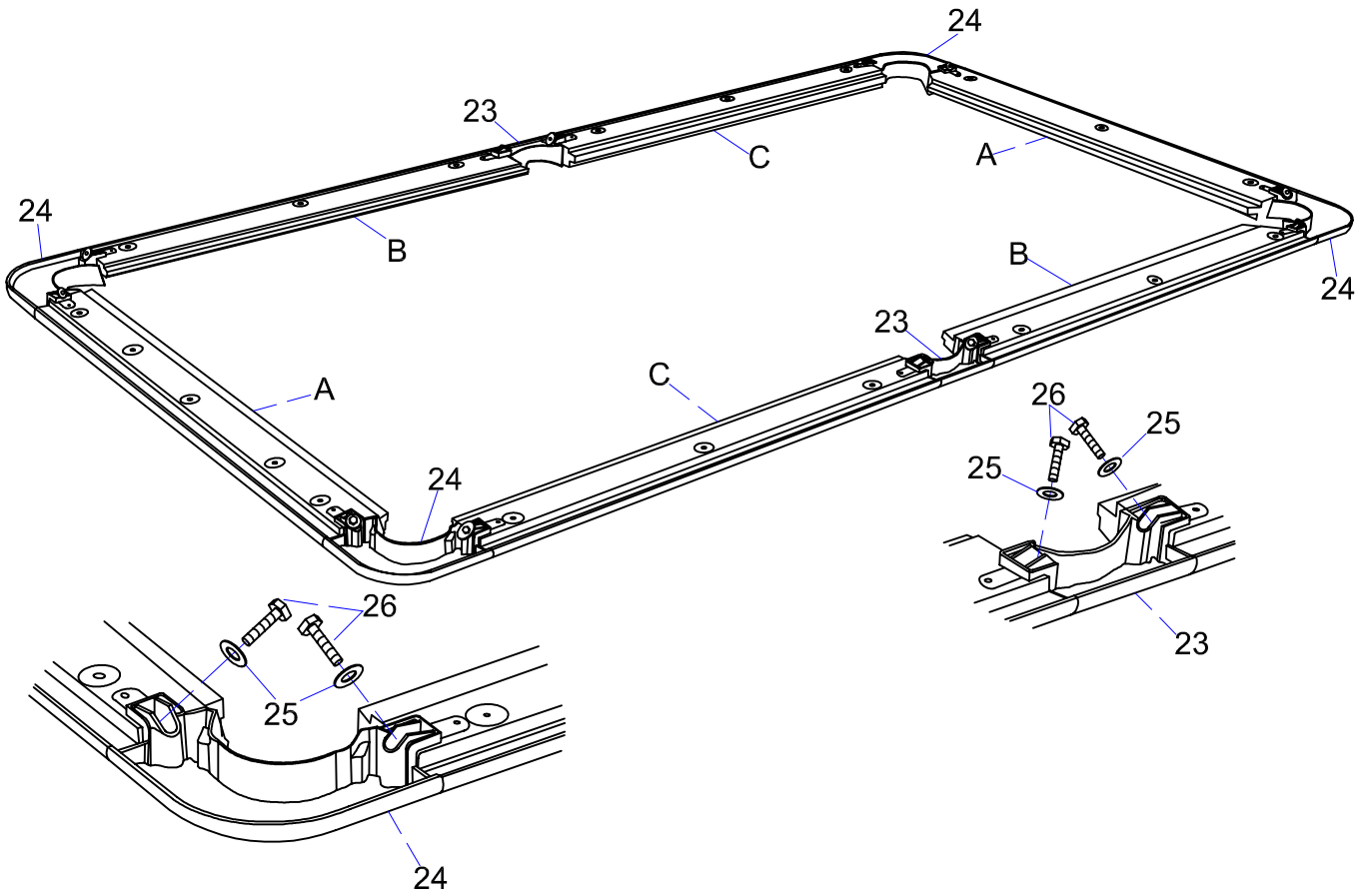
Step 5:



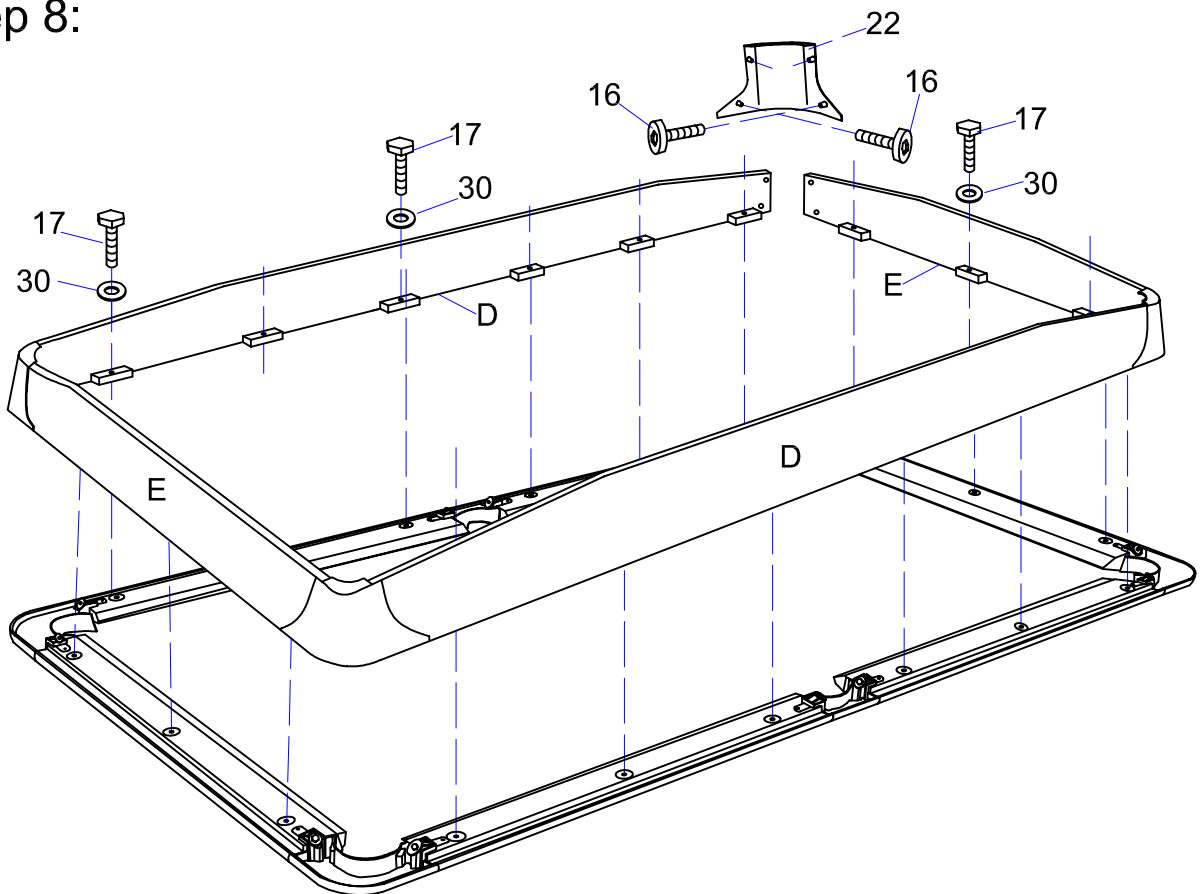
Step 6:



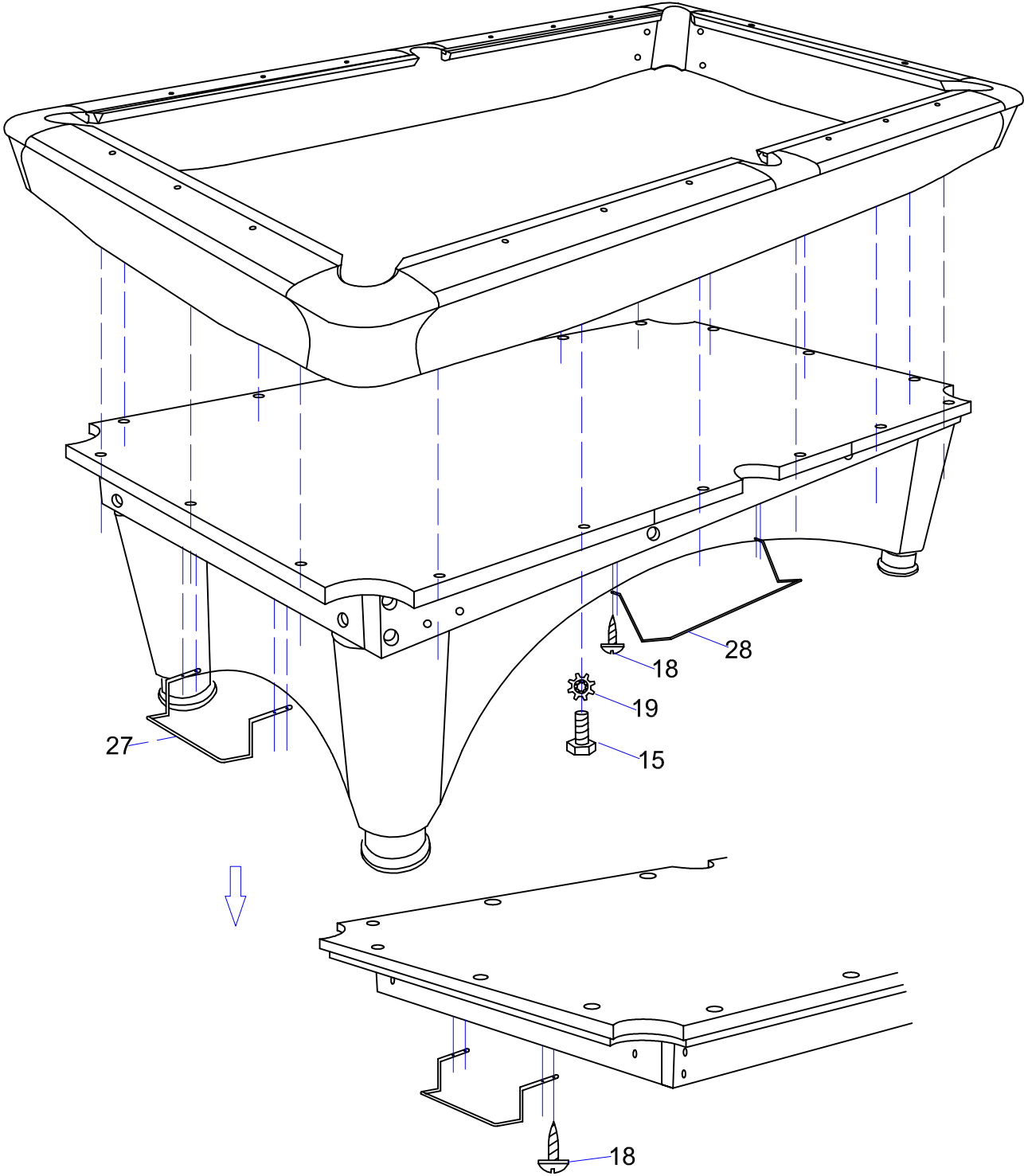
### Step 7:



### Step 8:



Step 9:





Step 10:

