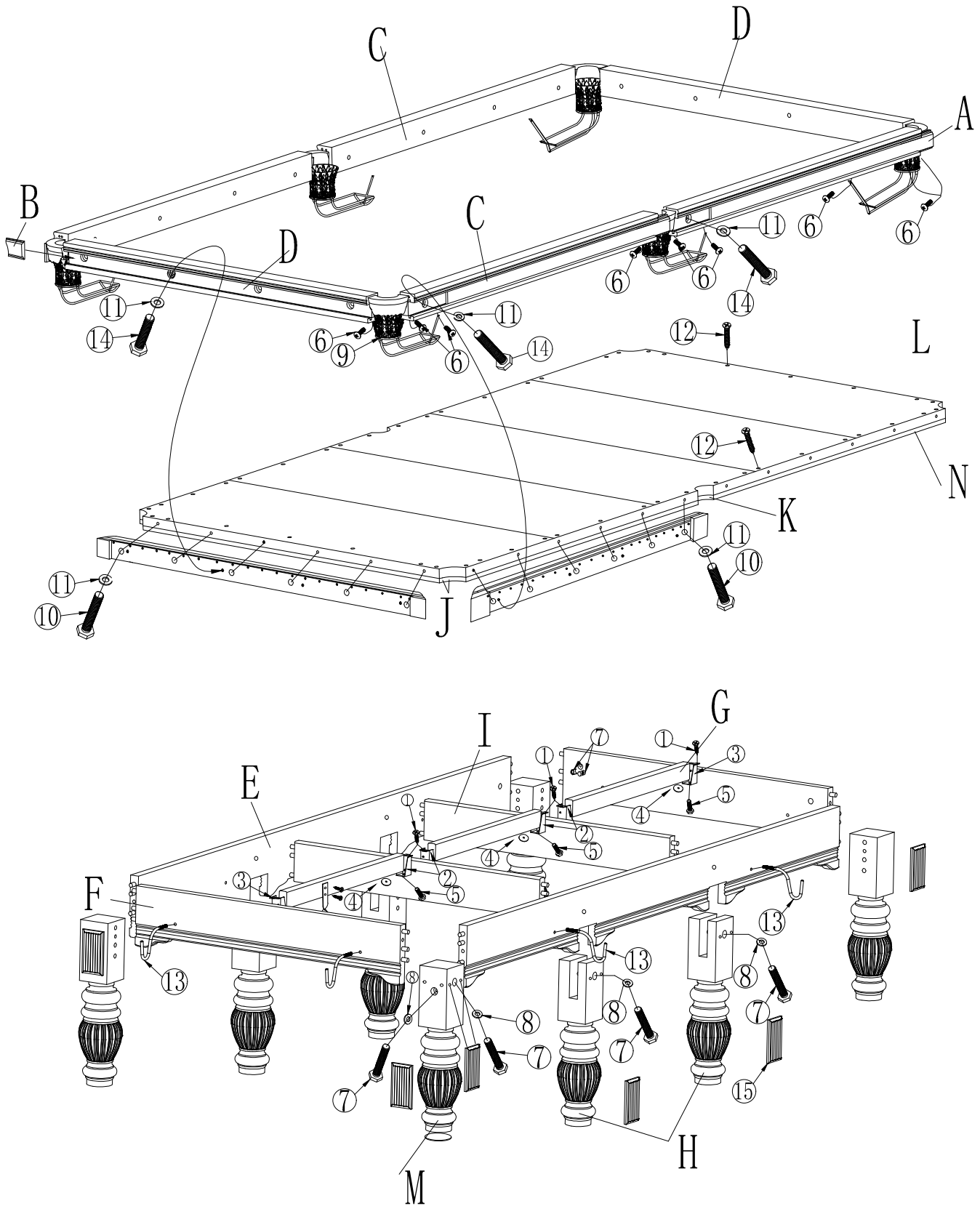
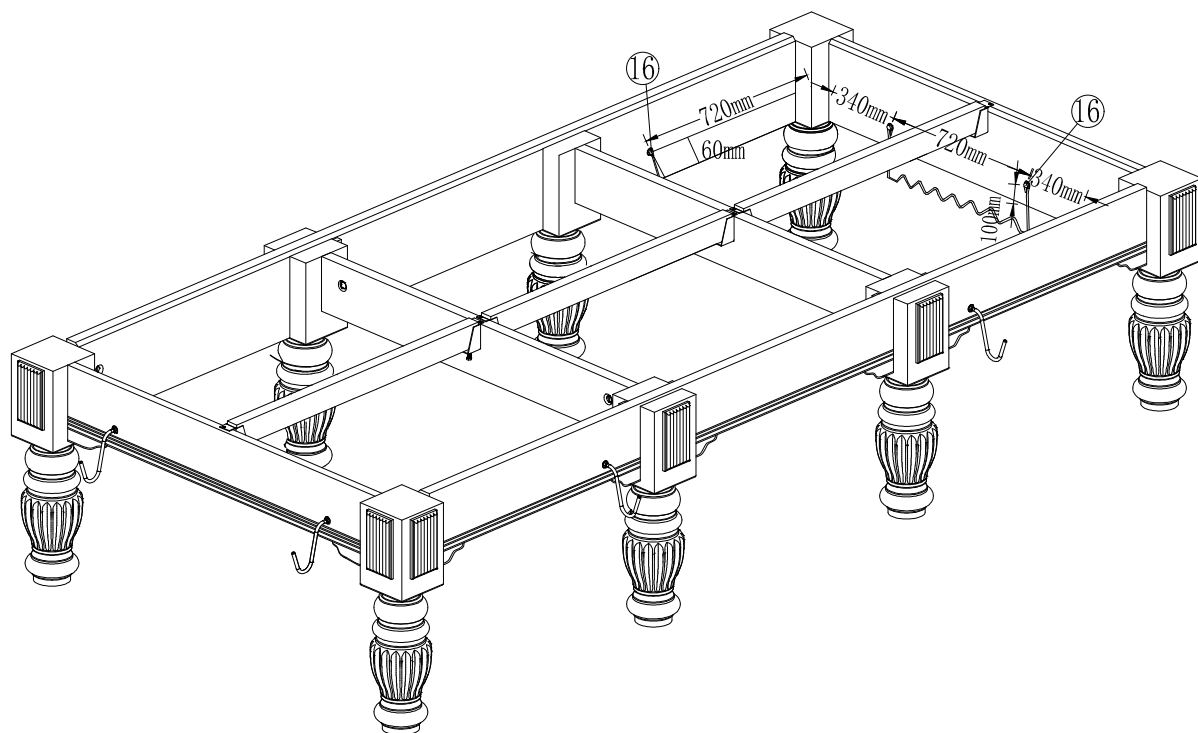


# 12' Prince Snooker Table Assembling Instruction



## 12' Prince Snooker Table Assembling Instruction



L	Slate			1	G	Cross Beam			3
N	Nail Cloth plate			6	F	External Frame longside			2
M	Corner leg			4	E	External Frame shortside			2
K	Wooden middle pocket plate			2	D	End cushion			2
J	Wooden end pocket plate			4	C	Middle cushion			4
I	Internal Frame			2	B	End cushion slating panel			2
H	Middle leg			4	A	Middle cushion slating panel			4
Number	Appellation	Description	Measurement (mm)	Pieces	Number	Appellation	Description	Measurement (mm)	Pieces
⑯	Iron bracket			1	⑧	washer		∅35-∅14x3	12
⑮	Cover plate			12	⑦	Complete bolt		12.6x255	12
⑭	bolt		M10x40	24	⑥	Large flat head screw		M6x20	18
⑬	brass hook			4set	⑤	bolt		M8x30	6
⑫	screw		5x60	50	④	SD-011 bracket accessories		30x2	6
⑪	washer		∅35-∅11x3	36+24	③	SD-014 long bracket			2
⑩	bolt		9.2x100	36	②	SD-013 short bracket			4
⑨	Snooker Pocket Assembly		4+2	1set	①	screw		4x25	22
Number	Appellation	Description	Measurement (mm)	Pieces	Number	Appellation	Description	Measurement (mm)	Pieces